

A close-up photograph of blue leather furniture, showing the texture and curves of the material. The image is positioned on the left side of the page, with a dark grey background behind it.

**Amaro**®

*technology & design*

excellence

ideal para atención pública  
Sillón Eléctrico circuito simple  
y práctico.

Alto rendimiento  
sin sofisticaciones  
innecesarias.



Lavado de fuente y llenado  
de vaso temporizado

Eyector y hemoaspirador

Control de flujo  
regulable

Jeringa triple puntas esteriliza  
e intercambiables

Botella agua  
destilada  
cambia vía  
red o destilada →



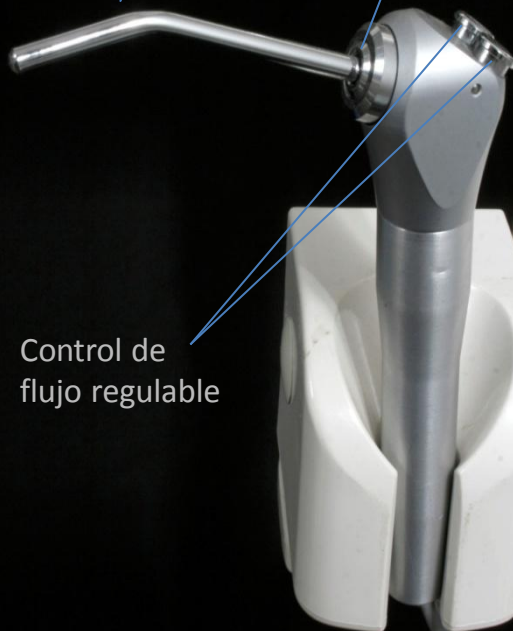
**Amaro**  
excellence

Superficies lisas  
asépticas



Puntas autoclavables

Quick connection



Control de  
flujo regulable

Lámpara con reflector dicróico  
rectangular entrega luz natural color día

intensidad 23.000 lux



Doble intensidad con interruptor  
En la cabeza de la lámpara

Contornos redondeados asépticos

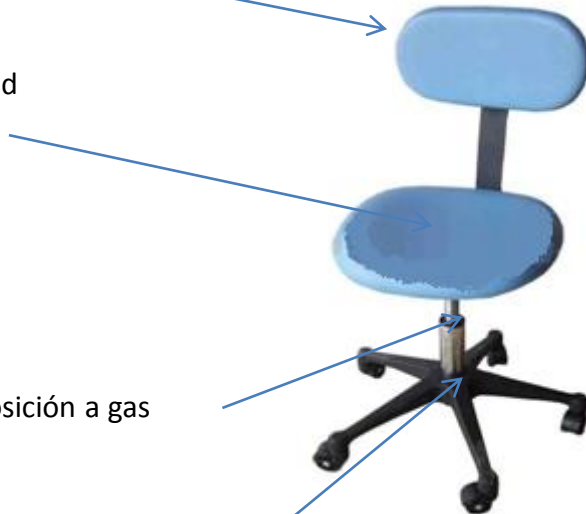


Taburete dental con espaldar de amplia superficie

Asiento con espuma alta densidad para trabajo prolongado

Cilindro amortiguado multiposición a gas

Estructura de acero revestido en poliéster



Ud. Puede elige como trabajar



Braquet tradicional

o



carro

Opcional Ud. puede incorporar en el equipo, Scaler ultrasonido y Lampara fotocurado Led built-in Apoza Taiwan



Output power : 3~20W  
Frequency : 33,5 +- 1,0 KHz  
High frequency and low amplitude  
Efficient performance to remove intractable Calculus.  
Stable ultrasonic oscilation  
Fabricado por Apoza Taiwan.

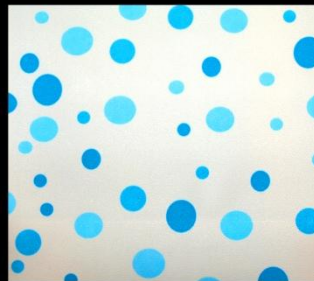


Original big power LED from Taiwan; High articulation optical fiber; Three working modes: strong. gradually strong, flashing; Optional working time :20sec.; Automatic inactive, automatic power off; Low battery alert; Super capacity battery; wavelength: 430-490nm.

Ud. elige el color

Nueva línea de tapices jungle para niños

**Amaro**



Ud. elige el color

Colores de tapices línea elegance

**Amaro**



fucsia



purpura



rojo



naranja



rosado



burdeo



azul marino



azul cielo



azul avioletado



celeste fuerte



celeste suave



verde



gris oscuro



gris claro



cafe



cisne



lunares celeste



rinoceronte



lunares azul

**Amaro**



elefante



pajarito

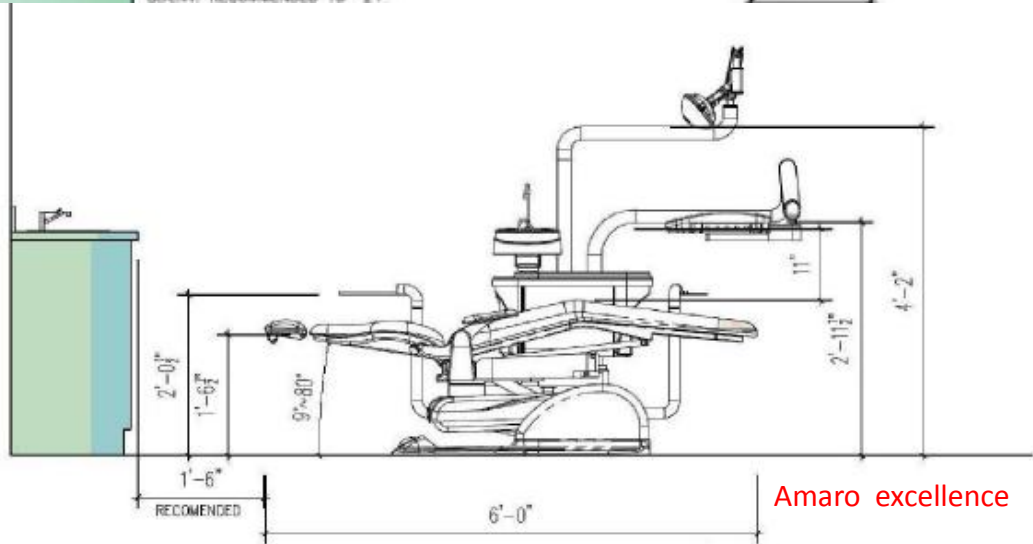
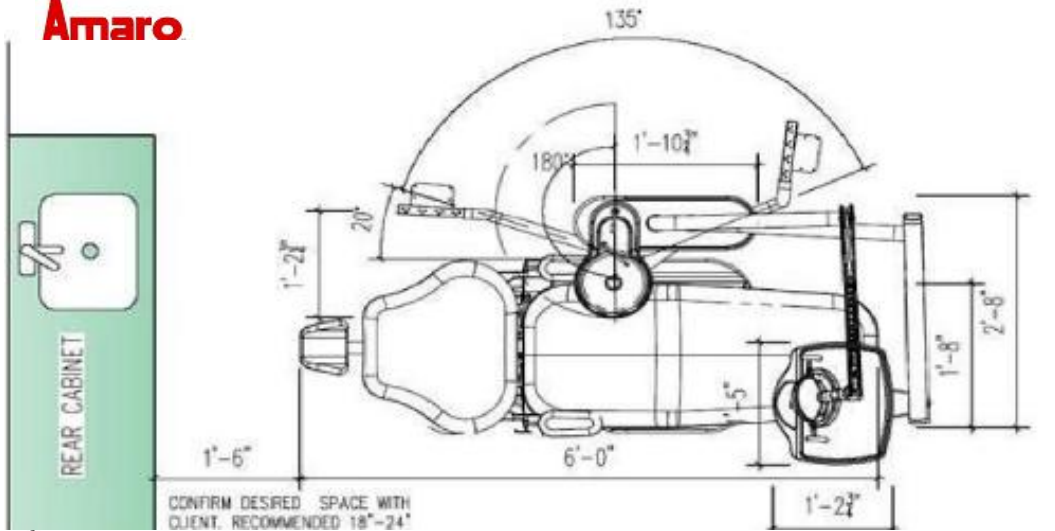


jirafa



lunares rojos

# Amaro



# Amaro.

Excellence is the most economical chair in our line of products. The backbone to a reliable chair is contingent on both the engineering and quality of the materials used. The chair is produced using some of the highest standards and as such has received praise as one of the best chairs on the market. Furthermore, the entire unit is finished using a Powder-coated baked finish to enable the highest level of asepsis control and with a cast iron frame the chair provides excellent durability. The company continues to exceed expectations, satisfying customer's desire for an economically priced unit built using the highest standards

## A2 Package includes:

- 3 way air/water syringe with fully autoclavable tips
- Rotating one piece cuspidor
- Automatic bowl rinse and timed-cup fill functions accessible by patient and assistant side
- Unit mounted treatment light with two intensity settings
- Touchpad control of patient chair for doctor and assistant
- City/Closed water system standard on all units
- Foot controls handpieces and offers water on/off toggle and chip air blower
- 12 seamless and plush upholstery colors



### Double Articulating Headrest

- Ergonomically correct head positioning to allow for natural and comfortable headrest
- Moves with the patient and can be easily adjusted

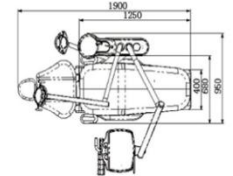
*Affordable pricing with premium features!*

**LINAK**  
WE IMPROVE YOUR LIFE

- The Linak motor provides the quietest and most reliable linear actuated lift column mechanism on the market since 1907
- Up to 6000N of lifting capacity



**Rotating Porcelain Cuspidor with timed cup fill and bowl rinse**



### Four controls for four-programmable memory positions

- 2 foot controls
- 1 assistant touchpad
- 1 doctor touchpad

### Options:

- Built in ultrasonic or piezo scaler
- Handpiece fibre-optics system
- Multi-media monitor mount
- Integrated intra-oral camera
- Continental style delivery

Packing dimension: 1.16X1.1X1.25m(45.7"X43.3"X49.2")  
Gross weight: 200kg

A2 E/N - Certified North American Standards | Canada --> Health Canada/ETL | US --> FDA

A2A - Certified European Standards | CE Mark

